

7. FUNCTIONALITY PROBLEMS

- 7.1. **Pump does not operate even though the solar module is in full sunlight.**
- 7.1.1. No connection to the solar module: to check connection from the batteries box to the solar module; to check connection from the pump to batteries box. If there is any rusty on the connector, please clean it with soft tissue, and then plug in the connector to the respective position.
- 7.1.2. Impeller is blocked: To clean the pump, remove the front plate and the impeller. Use a small brush to remove any debris.
- 7.2. **water flow is too small**
- 7.2.1. battery energy is almost exhausted: switch off the pump first, switch on the pump again after a full sunlight day.
- 7.2.2. Pump housing is blocked by air bubble, toss out air bubble from the pump by hand.
- 7.3. **Pump does operate but there is no water running through the fountainhead:** check for the build up of sediment or scale in the tubes or the filter- clean the tubes and the filter.

SOLAR PUMP WITH BATTERIES CHARGER

USER'S MANUAL

This instruction contains important information for using the product for the first time. Please keep this instruction for later reference. They should always accompany the product in the Event of transfer a new user.

1. INTRODUCTION

Thank you for purchasing the solar charge pump. You have purchased a product that complies with the latest and most up-to-date solar technology available.

The solar pump has been designed for fountain, pond or outdoor use; the Pump drives its power from a solar module directly. In order for the pump to operate, the solar module needs to be placed in direct sunlight. The performance of the pump depends on the season and the position of the solar module.

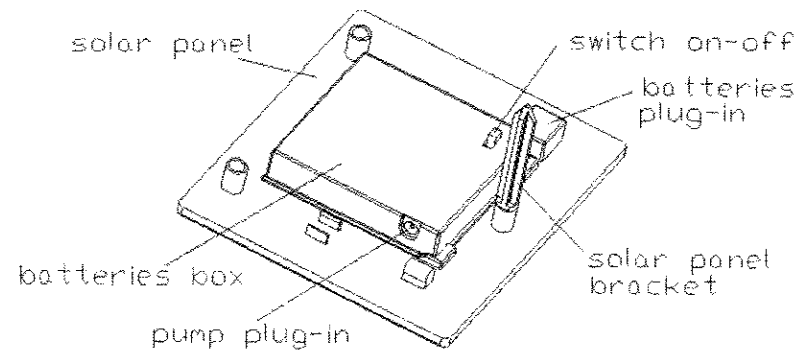
2. WARNING

- 2.1. For safety reasons and in order to maintain good quality you are prohibited from altering or changing any component in the solar pump.
- 2.2. Do not connect the pump to any AC voltage power; it is for DC voltage power only.
- 2.3. Do not pump flammable liquids
- 2.4. Do not use pump with water above 35°C

3. CAUTION

- 3.1. Do not strike the solar panel
- 3.2. Do not scratch the surface of the solar panel
- 3.3. Do not let the pump run dry for long time
- 3.4. Do not lift the pump by the power cord
- 3.5. Operate in freshwater only

4. ASSEMBLING AND USING YOUR PRODUCT



- 4.1. Unpack all components carefully.
- 4.2. Unroll the pump cable
- 4.3. Insert the pump plug-in into the socket
- 4.4. Place the pump underwater making sure that when the pump operates, it is fully immersed underwater. Use up to a flexible PVC tube (No supply here) to ensure the fountainhead stays above the surface of

water. If the PVC is not tall enough, you can raise the pump by using stones or bricks underlay the rear of the module.

- 4.5. Pull up the solar panel bracket insert into the picture position for supporting the solar panel.
- 4.6. Choose an outdoor location with full, direct sunshine where the solar panel can receive at least 8 hours of sunshine time each day.
- 4.7. Turn the switch to the “on” position; the solar pump is now ready to operate.

5. CLEANING AND MAINTENANCE

If after time the pump starts losing power or stops working you should check for the build up of sediment or scale in the filter or in the pump housing. The filter housing can be removed by pressing down on the bottom of the filter housing.

To clear the impeller open the pump housing at the front by sliding up the front plastic cover.

***Do not remove the impeller. Remove any dirt or scale, which has built up and then put the cover back to pump.**

***The solar module should only be cleaned with soft tissue and propriety glass cleaning solution.**

6. REPLACE BATTERIES

If the pump stops working after it has been used for a long time (about over 18 months), maybe the battery is beyond its lifespan. You may open the cover of battery to change a new rechargeable battery. (Battery specification: 1.2V1000mAh*5 Ni-Cd batteries)