

7. TROUBLE SHOOTING

(a) Pump does not operate even though the solar panel is in full sunlight.

Check: No connection to the solar panel – check connection to the solar panel; Check connection to the DC pump, LED light.

Check: Impeller is blocked – To clean the pump, remove the cover as above.

Use a small brush or stream of water to remove any debris.

(b) Pump does operate but there is no water running through the fountainhead.

Check: build up of sediment or scale in the tubes or the filter- clean the tubes and the filter.

(c) Operating time is shorter than preset time.

When there is not enough electricity stored in the batteries, the pump will stop to work. It may restart after one hour when more electricity is stored.

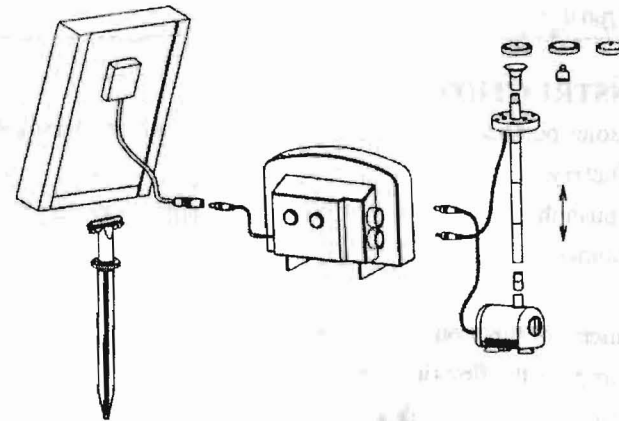
SOLAR PUMP USER'S MANUAL

P003C

1. OVERVIEW

- ✧ The solar pump is designed for fountain, pond or outdoor use. In order to make the pump work, the solar panel needs to be in direct sunlight
- ✧ This solar pump is designed with Memory Function to remember the time at which you switch on the solar pump for the first time; this function will then switch on the pump at that time every day.

2. ASSEMBLY



- Unpack all components carefully.
- Connect the solar panel to the control housing. (Note: place the control housing on a dry and clean position)
- Place the pump underwater and make sure that it is **fully immersed** in water. Use the three flexible suction cups to stick to the bottom of fountain pool. In case the pump tube is too far from the surface of water, you can raise the pump

by using stones or brick underlay.

- Connect fountain heads and LED light as required;
- Adjust the water jet as needed
- Connect the pump cable to the socket of the control housing;
- Connect the LED light cable to the socket of the control housing;
- The solar pump is now ready to use.

3. CAUTIONS

- ❖ Any altering of the product itself or changing of the components is forbidden.
- ❖ Do not connect the pump to any AC voltage power, it is intended ONLY for DC Voltage power.
- ❖ Operate in freshwater only (never above 50°C), and especially keep away from flammable liquids.
- ❖ Do not strike the solar panel.
- ❖ Do not let the pump run dry.

4. OPERATING INSTRUCTIONS

Once installed, allow the solar pump to charge at least eight hours in direct sunlight in order to fully charge the Battery.

Test the control system: push the “on” button. The pump will begin to work. (Note: LED lights work only at night)

Memory Function: The memory function is designed to remember the time at which you switch on the solar pump for the first time; this function will then switch on the pump at that time every day.

How to use the memory function

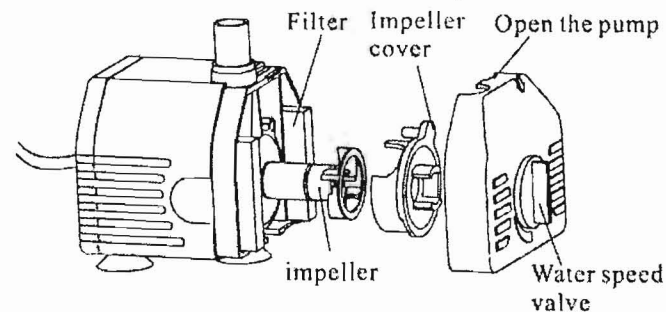
- ❖ Push the “on” button, the solar pump will begin to work and will stop when it reaches 3 hours or when the electricity stored in the battery is used up.
- ❖ The pump will begin operation automatically at the same time every day after you initiate the memory function.

- ❖ Push the “off” button to stop the pump and the memory function, and to reset when required.

5. CLEANING AND MAINTENANCE

Pump: If after some time the pump starts losing power or stops working, please note the pump can be opened by pull out the filter housing.

If pump starts losing power or stops working, please clean up sediment in the pump shell or filter cribs. The pump filter cover can be removed by pressing the pump bottom slightly & slide the whole cover as shown in diagram.



Solar panel: The solar panel and solar controller should be only cleaned with damp cloth. DO NOT rinse with water directly.

6. REPLACE BATTERIES

If the solar pump stops working after it has been used for a long time (about over 12-18 months), maybe the battery is beyond its lifespan. You may open the control housing to change a new rechargeable battery pack 6V/1000mAH-1200mAH.